

# VARIO PSU

## VARIO Power Supply Units

The VARIO series of Power Supply Units (PSU) is purpose designed to correctly power all VARIO illuminators including VARIO IP, and provides a platform for the easiest, quickest and safest wiring and installation.

As a full product family, there is a PSU to power any VARIO illuminator. The VARIO PSU requires a 100-230V AC input and provides 24V output. 20W, 50W, 100W and 150W PSU options are available.

With multiple outputs, installers have the ability to power multiple VARIO illuminators from a single PSU (medium, large, and x-large size PSU only). The VARIO PSU also provides CAT5 connectivity for VARIO IP network illuminators (medium, large, and x-large size PSU only).

Each PSU features a 'Fast-Connect' wiring terminal for quick and easy wiring of all VARIO input and output connections, including telemetry input and photocell following output. White-Light LED status indicators are also provided on all fused outputs to indicate the correct voltage and to provide support illumination during wiring.

The VARIO PSU has a high quality IP66 aluminium enclosure making it suitable for all environmental conditions. It also features convenient automotive blade output fuses allowing for fast and easy sourcing and replacement if required. The Slowblow input fuse can also be easily replaced without disconnecting the mains input, for easier and safer installation and maintenance. The VARIO PSU series is suitable for all VARIO low voltage lighting installations.

## Features

### Powerful

- Powers all VARIO illuminators including VARIO IP
- Powers multiple VARIO illuminators from one PSU

### Flexible

- CAT5 connection for VARIO IP (medium, large, and x-large only)
- 'Fast-Connect' easy wiring for all VARIO input and output connections
- Internal illumination for night time installation

### Reliable

- High Quality IP66 Aluminium Enclosure
- Automotive blade output fuses - fast and easy sourcing and replacement

### Controlled

- Provides correct power for all VARIO illuminators
- Slowblow input fuse - replaceable without disconnecting mains input
- Status indicators signify correct voltage



PSU-VAR-20W-1 (small)



PSU-VAR-50W-2 (medium)



PSU-VAR-100W-2 (large)

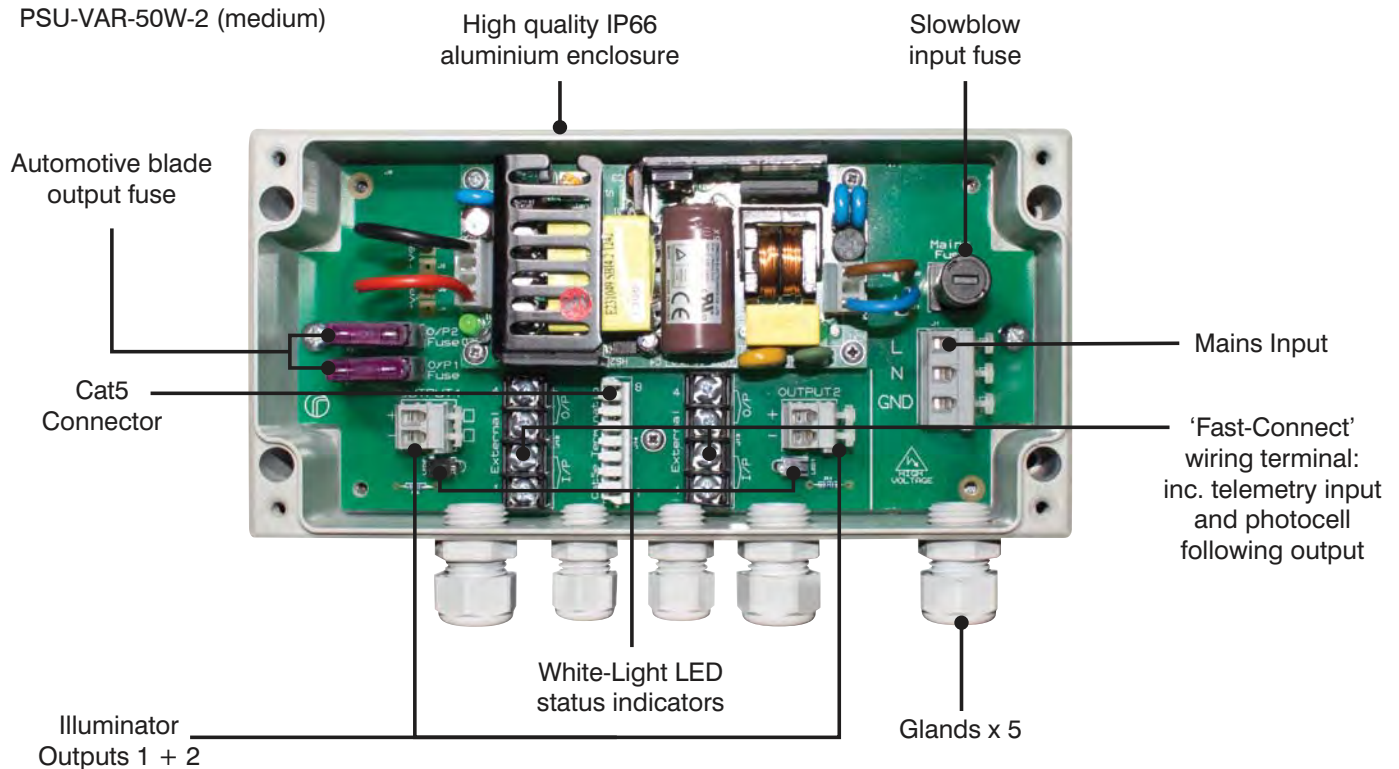


PSU-VAR-150W-3 (x-large)

## VARIO PSU Diagram

Model shown:

PSU-VAR-50W-2 (medium)



### Features

### Benefits

Purpose designed PSU for VARIO illuminators

Provides correct power and provides easy wiring and installation

A full family of VARIO PSU's

Can power any VARIO illuminator

Multiple outputs

(available on medium, large, and x-large model)

Ability to run multiple VARIO units from a single PSU

Cat 5 connector

(available on medium, large, and x-large model)

Easy CAT5 connection for VARIO IP illuminators

'Fast-Connect' Wiring

Robust terminal for fast and easy wiring of all input/output connections

White-Light LED status indicators

To identify correct output voltage and provide support illumination during installation and maintenance

High quality IP66 aluminium enclosure

Suitable for all environmental conditions

Automotive blade output fuses

Fast, easy sourcing and replacement

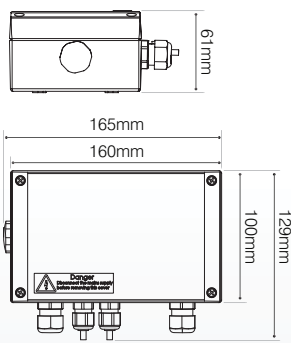
Slowblow input fuse

Can be replaced without disconnecting mains for easier and safer installation and maintenances.

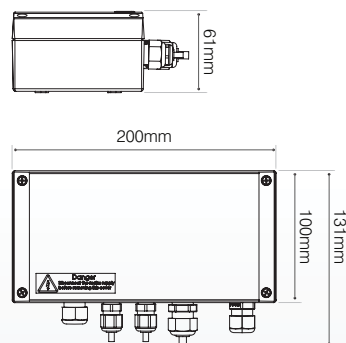
# Technical Specifications

	PSU-VAR-20W-1	PSU-VAR-50W-2	PSU-VAR-100W-2	PSU-VAR-150W-3
<b>Illuminators (standard)</b>	1x VARIO 2 series plus aux output (max 8W)	2 x VARIO 4 series	2 x VARIO 8 series or 1x VARIO 16 series	3 x VARIO 8 series
<b>Other Illuminator options</b>		4 x VARIO 2 series*	4 x VARIO 4 series* 8 x VARIO 2 series*	1 x VARIO 16 series* 6 x VARIO 4 series*
*Please note: for medium, large and x-large PSUs powering an increased number of VARIO illuminators, the total power of the illuminators must be equivalent to the PSU max output - illuminator output cables may also need to be commoned together to suit the number of available glands.				
Mixed model sizes of VARIO illuminators can be powered from the same PSU e.g. PSU-VAR-50W-2 can also run 2 x VARIO 2 series and 1 x VARIO 4 series				
<b>Input</b>	100-230V AC			
<b>Input Fuse Type</b>	20mm, slowblow, user replaceable without disconnecting mains input			
<b>Input Fuse Rating</b>	1A	2.5A	2.5A	2.5A
<b>Max Output</b>	20W	50W	100W	150W
<b>Output for VARIO Illuminators</b>	1 for VARIO 2 series	2 for VARIO 4 series or equivalent power units	2 for VARIO 8 series or equivalent power units	3x VARIO 8 series or equivalent power units
<b>Output Fuse Type</b>	automotive, blade, user replaceable			
<b>Output Fuse Rating</b>	3A	3A	5A	5A
<b>FastConnect™ wiring</b>	Quick and easy wiring for VARIO input and output connections - 4 way robust terminal for telemetry input and photocell following output			
<b>White Light status LEDs</b>	White-Light LED status indicators on all fused outputs to indicate correct voltage and to provide support illumination during installation and maintenance			
<b>Cat5 Connector</b>	N/A	Cat5 Connector for VARIO IP	Cat 5 Connector for VARIO IP	Cat 5 Connector for VARIO IP
<b>Glands</b>	2x M16, 2x M12, IP68	3x M16, 2x M12, IP68	3x M16, 2x M12, IP68	4x M16, 2x M12, IP68
<b>Enclosure construction</b>	High quality, power coated, IP66 aluminium			
<b>Dimensions</b>	160 x 129 x 61 mm	200 x 131 x 61 mm	160 x 191 x 81 mm	240 x 191 x 81 mm
<b>Weight</b>	0.9kg	1.0kg	1.7kg	2.4kg
<b>IP Rating</b>	IP66			
<b>Certification</b>	CE compliant			
<b>Accessories available</b>	External mounting feet			

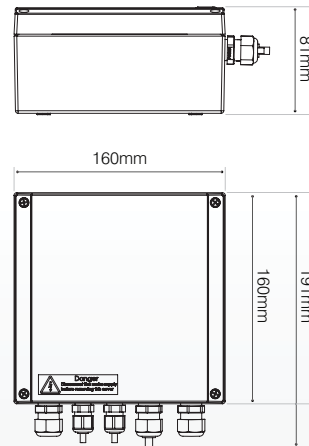
PSU-VAR-20W-1 (small)



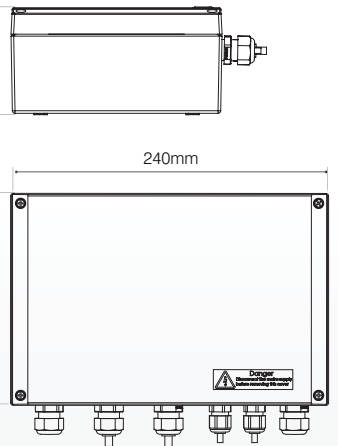
PSU-VAR-50W-2 (medium)



PSU-VAR-100W-2 (large)



PSU-VAR-150W-3 (x-large)



### Part Codes

PSU-VAR-20W-1	VARIO PSU - 24V, 20W, 1xO/P for 1x2 series VARIO illuminator
PSU-VAR-50W-2	VARIO PSU - 24V, 50W, 2xO/P for 2x4 series VARIO illuminators
PSU-VAR-100W-2	VARIO PSU - 24V, 100W, 2xO/P for 2x8 series VARIO illuminators
PSU-VAR-150W-3	VARIO PSU - 24V, 150W, 3xO/P for 3x8 series VARIO illuminators

## 3 YEAR WARRANTY

All RayLED power supply units are provided with a 3 year warranty. RayLED power supply units are IP66 rated, robust and highly durable for long life and operation in all environmental conditions.

