

VARIO2 Extreme White-Light High Performance Lighting for Extreme Environments



- Extreme Temperatures
- Extreme Salinity
- Extreme Humidity
- Extreme Vibration
- Extreme Impact Resistance
- Distances up to 250m (820ft)
- PLATINUM Elite SMT LED Technology
- Hot-spot Reduction Technology (HRT)
- VARIO Interchangeable Lens System
- Angles from 10-120 degrees – from 1 product

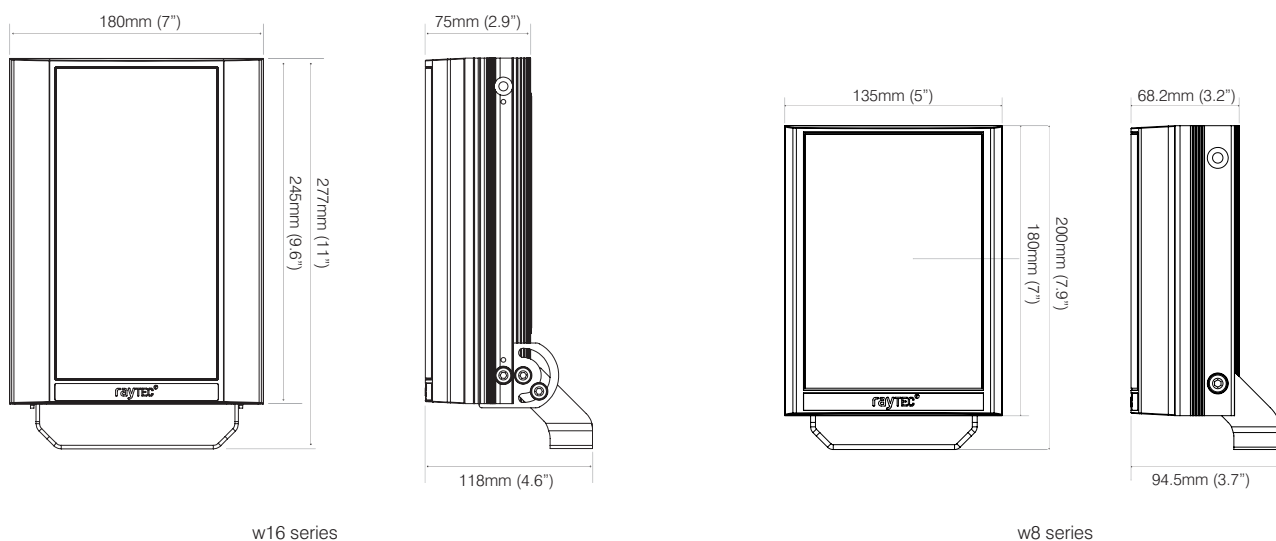
VARIO2 Extreme illuminators are designed to provide extreme durability for video surveillance systems operating in the most challenging environments.

VARIO2 Extreme illuminators use PLATINUM Elite SMT LED technology to deliver world leading power and illumination distances to improve the performance of any surveillance system at night. The VARIO2 Extreme series also offers a suite of advanced security features for easier programming and safer operation of smart lighting systems.

VARIO2 Extreme features an interchangeable lens system with Hot-spot Reduction Technology to deliver highly even illumination, where it is most needed, for outstanding night-time images. With the optional hand-held remote control, VARIO2 Extreme also makes installation and commissioning quicker, easier and safer.

The VARIO2 Extreme w16 White-Light series delivers maximum distances up to 250m (820ft), and the w8 White-Light series delivers maximum distances up to 180m (591ft).

Product Dimensions



Features

Benefits

Extreme Durability in Challenging Conditions

VARIO2 Extreme is rated for use in the harshest environmental and operating conditions, including IP67 , NEMA 6, IK10, Extreme Salinity, Extreme Humidity and Extreme Vibration.

Wide Operating Temperature

With a wide operating temperature range of -50° to +75°C (-58° to 167°F), VARIO2 Extreme illuminators can withstand the harshest environments providing rock-solid, industrial grade performance at all times.

Wide Power Input Range

A wider power input range of 24-48V DC provides greater flexibility during installation.

VARIO Interchangeable lens system

Angle of illumination can be easily, quickly and precisely adjusted by changing the VARIO holographic lens insert, to match the specific camera field of view.

Hot-spot Reduction Technology (HRT)

HRT - Hot-Spot Reduction Technology delivers a highly diffused, elliptical beam shape to deliver more light where it is needed, generating both longer distances and minimizing light wastage. The HRT system also prevents overexposure of foreground objects.

VARIO Remote Control (optional)

Allows set up quickly and safely from ground level and provides access to advanced set up features. Reduces both cost and time of installation and commissioning.

LED Status Indicator

Quick operational feedback on status and performance of the illuminator. Allows simple and quick commissioning of the installation and easy maintenance reviews

Platinum Elite SMT LED Technology

VARIO2 illuminators use cutting edge PLATINUM Elite SMT LED technology together with an enhanced Cool Running™ thermal management system to deliver World leading power, reliability and flexibility.

Active LED Life Control

An Advanced Cool Running™ system draws heat away from the LEDs, shielding the LED from abnormal stress, and allows RayLED LED products to deliver outstanding performance and consistency of illumination throughout the operational life of the illuminator.

5 YEAR WARRANTY

All RayLED luminaires are provided with an industry leading 5 year warranty and have an expected useful life in excess of 10 years



Technical Specifications

Illuminator

Model	w16	w8
Total Lumens	7453lm per luminaire	3727lm per luminaire
Max Distance	250m (820ft)	180m (591ft)
Consumption	84W	42W
Number of LEDs	48	24
Weight	3.1kg (6.8lbs)	1.65kg (3.6 lbs)
Dimensions	180 x 277 x 75mm (7"x11"x2.9" approx.)	135 x 180 x 68.2mm (5" x 7" x 2.6" approx.)
Angle	Standard pack includes 10 circular + 35 x 10 (fitted as standard) and 60 x 25 elliptical lenses Additional optional lenses: 80 x 30 and 120 x 50	
Input	24-48V DC	
Beam Shape	Elliptical with HRT (Hot-spot Reduction Technology)	
Beam Angle System	VARIO Interchangeable Lens System	
LED Type	PLATINUM Elite SMT LEDs	
Wavelength	White-Light	
Colour Temp	6000K ~	
Colour Reproduction Index	> 70	
Environmental Rating	IP67, NEMA 6, IK10, Extreme Salinity, Extreme Humidity, Extreme Vibration	
Temperature Range	- 50° to +75°C (-58 to 167°F)	
Colour	Black	
Cable Length	2.5m	
Bracketry	U bracket included VUB Bracketry also available (Optional)	
Country of Manufacture	United Kingdom	

Integrated Command and Control Technology

Integrated Standard Features	<ul style="list-style-type: none"> • Power adjust from 20-100% • In-built photocell for automatic on/off operation • Photocell following output • Photocell sensitivity adjust • Telemetry input • LED status indicator provides status on performance of the unit • LED status indicator on/off • Disable programming mode
Advanced Features (accessed via VARIO remote control)	<ul style="list-style-type: none"> • Timer function (up to 30 mins) • Telemetry control • Remote Dimming • Restore factory default settings • Optional PIN to lock in settings and limit access • Remote Control can be disabled for improved security

POWERS – The Open Lighting Standard

Specifications and distances based on the POWERS lighting standard For full POWERS data and A&E specifications please contact sales@rayled.com

Product Codes

Part Codes	Description	Angles	Distances
VAR2-XTR-w16-1	VARIO2 Extreme w16, White-Light, with 3 angle options included, 24 - 48V DC	10 x 10°	250m (820ft)
		35 x 10° (fitted as standard)	125m (410ft)
		60 x 25°	70m (230ft)
		80 x 30° (optional)	48m (157ft)
		120 x 50° (optional)	35m (115ft)
VAR2-XTR-w8-1	VARIO2 Extreme w8, White-Light, with 3 angle options included, 24 - 48V DC	10 x 10°	180m (591ft)
		35 x 10° (fitted as standard)	95m (312ft)
		60 x 25°	50m (164ft)
		80 x 30° (optional)	35m (115ft)
		120 x 50° (optional)	25m (82ft)

Optional Parts

VAR-rc	Remote Control for any VARIO2 Illuminator (only 1 remote needed)
VAR-w16-LENS-8030	Individual w16 VARIO lens – 80°H x 30°V
VAR-w16-LENS-12050	Individual w16 VARIO lens – 120°H x 50°V
VAR-w8-LENS-8030	Individual w8 VARIO lens – 80°H x 30°V
VAR-w8-LENS-12050	Individual w8 VARIO lens – 120°H x 50°V