



# SPARTAN FLOOD IR12



## LED Hazardous Area Floodlight Standard Variants

The SPARTAN Floodlight range is designed specifically for hazardous environments which require high performance, high reliability, Infra-Red illumination. Housed in Marine Grade aluminium with a toughened glass window, and using **RayLED's** field-proven, long-life LED technology, SPARTAN Floodlights are ATEX and IEC Ex approved for all Zone 1 and Zone 2 applications, C1D2, UL, CSA, ABS and rated for T4, T5 and T6 environments/locations. Available in standard versions only. For emergency variant see SPARTAN 24 or 48.

SPARTAN Flood is available in a variety of different beam patterns, both circular and elliptical, to suit any application. The circular beam patterns maximise light output, while the elliptical beam patterns use **RayLED's** revolutionary VARIO holographic lens technology to shape the light providing greater illumination distances with significantly reduced energy wastage. The VARIO holographic beam patterns can easily be modified – offering ultimate flexibility to specifiers, distributors and end-users.

SPARTAN Flood has been designed from the ground up for easy installation, easy maintenance, easy inspection, and long life performance. SPARTAN uses **COOLEXTRUDE™** thermal management technology, ensuring a much cooler LED operating temperature allowing the product to operate for >10 years. A unique, maintenance-friendly design allows quick and easy servicing and inspection of all key components including LED and PSU modules if required.

## Features

- ATEX & IEC EX approved - Zone 1 & 2 and ABS
- Ultra long life LED
- Easy installation, maintenance and inspection
- Wide operating temperature range
- Integral photocell (optional)
- 5 year warranty
- VARIO lens technology – easy modification of beam patterns

## Why RayLED

- UK Designed & Manufactured
- Manufacturing precision engineered LED products
- Worldwide distributor support
- Lighting design and full technical support
- ISO9001 and ISO140001 accredited
- Award Winning Technology

## Key Features

### Ultra-Powerful

Latest high power LED technology

### Ultra-Flexible

Beam patterns from 10° to 120° both circular and elliptical

Operating temperature range of -50°C to + 55°C with a T4/T5/T6 rating for even the most challenging conditions

Models incorporating VARIO Technology allow for easy modification of beam pattern

### Ultra-Reliable

Industry leading 5 year warranty

Designed and manufactured in the UK to the highest standards including both ISO9001 & ISO14001

Advanced electronics and LED's protected by vibration resistant and water proof potting compound

### Ultra-Modular

Both the LED and PSU modules are easily accessible for maintenance and inspection

Available as a standard fitting only

Removable PSU housing allows power supply to be fitted remotely

### Ultra-Efficient

**COOLEXTRUDE™** thermal management delivers class leading energy efficiency

Significant running and maintenance savings compared to traditional lighting technologies

SMART access wiring system for safe and efficient installation, set-up and ongoing inspection

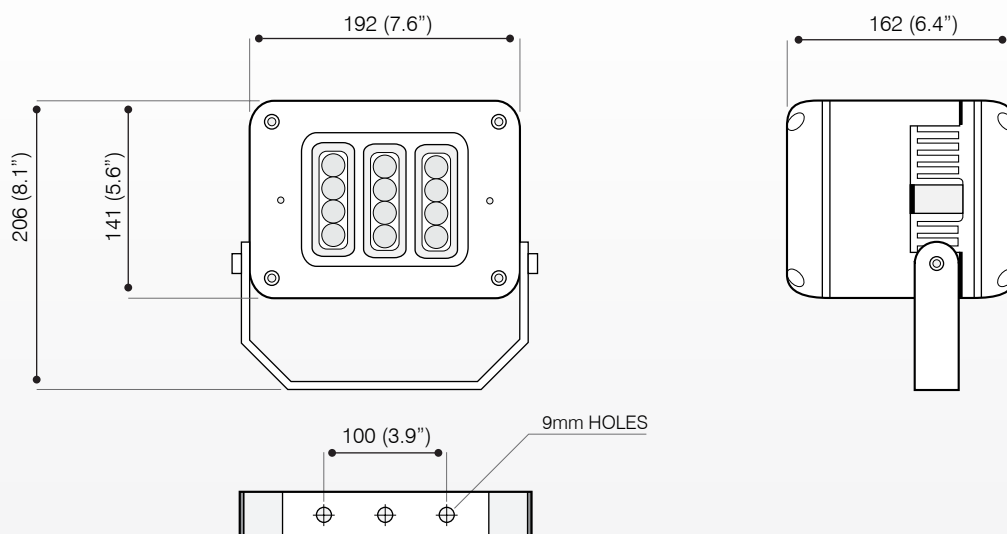
### Ultra-Support

Photometric files available (.ies & .ldt)

Full Lighting Design Service

Site specific Energy and Cost Saving Report available

## Product Dimensions



# Technical Specifications

## Certification

ATEX Rating:	ATEX and IEC Ex rated for Gas and Dust
Hazardous Area rating:	Zone 1 & 2 – Gas and Dust
Certificates:	CML13ATEX3007 & IEC Ex CML 14.0001
Gas:	II 2 GD Ex emb IIC T5 or T4 Gb Ta -50°C to +55°C II 2 GD Ex emb IIC T6 Gb Ta -50°C to +48°C
Dust:	Ex tb IIIC T82°C Db IP66 & IP67 - Ta -50°C to +55°C
North America Rating:	Class I, Division 2 Groups A, B, C, D, T5 Class II, Division 1 & 2 Groups E, F, G Class III, Division 1 & 2 NEMA 4x, IP66/IP67 UL50E, UL8750, UL 1203 C22.2 No Emergency Variants - Certification Pending ABS Certificate # 15-LD1364539-1-PDA

## Electrical

Input:	110-254V 50/60Hz AC only
Power:	34W
Termination:	Incoming terminal block suitable for looping 4 core 4mm <sup>2</sup> cable
Power Factor	>0.95
Cable entries	2xM20 as standard (other entries available upon request), dispatched complete with one ATEX/ IEC Ex approved blanking plug 3/4" NPT as standard on C1D2

## Optical

Beam Patterns-circular:	10°x 10° or 30°x 30° or 50°x 50° or 120°x 120° (10 x 10 option can be upgraded to VARIO Technology)
Beam Patterns-elliptical:	35°x 10° or 60°x 25° or 80°x 30° or 120°x 50° (VARIO)
LED type:	Platinum SMT LEDs
Number of LEDs:	12

## Mechanical/Environmental

Burning position:	Universal
IP rating:	IP66 & IP67
Temperature range:	-50°C to +55°C
Weight:	5kg (11lbs)
Enclosure:	Marine grade aluminium epoxy powder coated, toughened glass, all external fasteners and brackets are marine grade stainless steel
Unit Colour:	Silver (RAL 9006),
Installation instructions:	RayLED ref 910-M-0094 – please contact RayLED for copy
Dimensions:	192 x 206 x 163mm (7.6 x 8.1 x 6.4")
Mounting:	U bracket (see dimension drawings on Page 2)

## Circular beam pattern

Part Codes	Description (T4 variants as standard)	Distances
SPX-FL12-I-1010	SPARTAN Flood, 12 LED, Infra-Red, 10°x 10° beam	180m (591ft)
SPX-FL12-I-3030	SPARTAN Flood, 12 LED, Infra-Red, 30°x 30° beam	56m (184ft)
SPX-FL12-I-5050	SPARTAN Flood, 12 LED, Infra-Red, 50°x 50° beam	45m (148ft)
SPX-FL12-I-120120	SPARTAN Flood, 12 LED, Infra-Red, 120°x 120° beam	18m (59ft)

Add -C1D2 to part code for North American standards

For options fitted with photocell add '-PC' to the above codes  
Contact RayLED for T5 and T6 variants

## Elliptical beam pattern

Part Codes	Description (T4 variants as standard)	Distances
SPX-FL12-I-3510	Spartan Flood, 12 LED, Infra-Red, 35°x 10° beam	112m (367ft)
SPX-FL12-I-6025	Spartan Flood, 12 LED, Infra-Red, 60°x 25° beam	66m (216ft)
SPX-FL12-I-8030	Spartan Flood, 12 LED, Infra-Red, 80°x 30° beam	50m (164ft)
SPX-FL12-I-12050	Spartan Flood, 12 LED, Infra-Red, 120°x 50° beam	35m (115ft)

Add -C1D2 to part code for North American standards

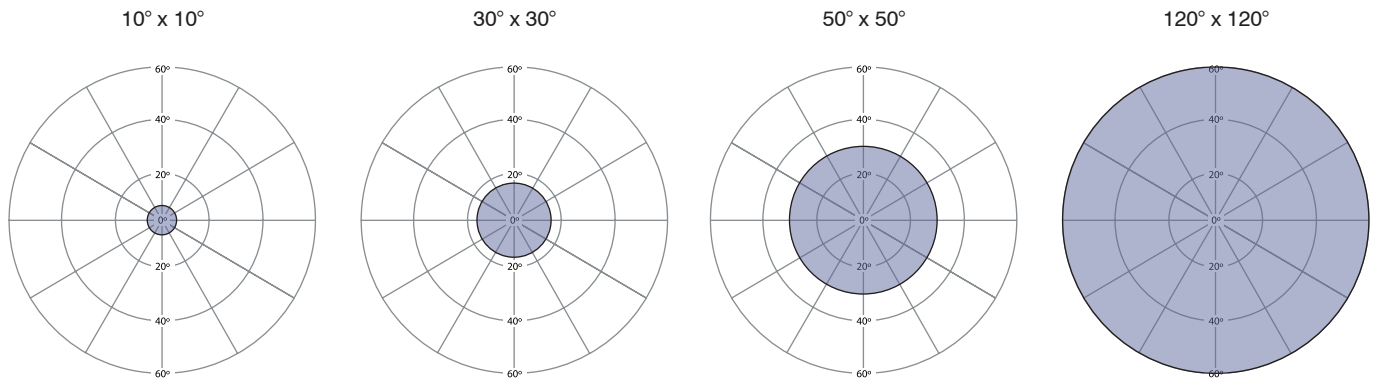
For options fitted with photocell add '-PC' to the above codes  
Contact RayLED for T5 and T6 variants

## 5 YEAR WARRANTY

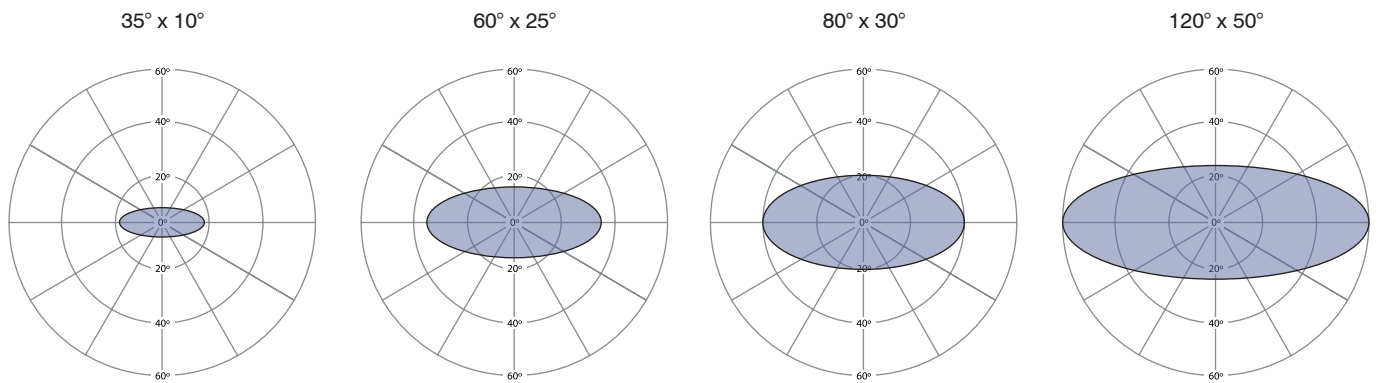
All RayLED luminaires are provided with an industry leading 5 year warranty and have an expected useful life in excess of 10 years



## Beam patterns - Circular



## Beam patterns – Elliptical (VARIO)



## Products in the SPARTAN Flood 12 range

Spartan Flood 12 WL



Spartan Flood 12 IR



## Other Products in the SPARTAN Hazardous Area Family

Spartan Flood 24



Spartan Flood 48



Spartan Linear 2"



Spartan Linear 4"

