

# rayMAX 200 FUSION

Adaptive Illumination™

## LOW VOLTAGE INFRA-RED

Fusion Adaptive Illumination™ (AI) is a range of high performance Infra-Red illuminators designed specifically for low voltage installations. The illuminators provide class leading performance, long life and ultra low maintenance. They incorporate RayLED's latest surface mount PLATINUM LED's to deliver excellent night-time pictures with improved optical output and outstanding reliability.

The unique Adaptive Illumination™ concept provides the flexibility to alter the angle of illumination on site to suit specific security needs and to match the camera's field of view. Fusion AI illuminators are also purpose designed to provide even output illumination.

The FUSION AI series has integrated Command and Control™ circuitry. Installation is quick and easy, requiring only a 12-24V DC /24V AC input with no need for a specialist PSU.

Each unit is fitted with Active LED Life Control to carefully control LED output, delivering consistent illumination power and a projected working life of 10 years.

RAYMAX 200 Fusion AI illuminators are supplied complete with bracket. Control features on the Fusion AI include adjustable power output, photocell, photocell adjust and connection for both telemetry input for remote operation and photocell photocell following contact for switching of dual mode cameras. Raymax 200 Fusion AI is suitable for all low light installations up to 300 metres (985ft).



## POWERFUL

- Distances up to 300m (985ft)
- **PLATINUM®** LED technology
- High power - low running costs

## FLEXIBLE

- Adaptive Illumination™
- Various angles (10° to 180°)
- 12-24V DC /24V AC input
- Command and Control technology™

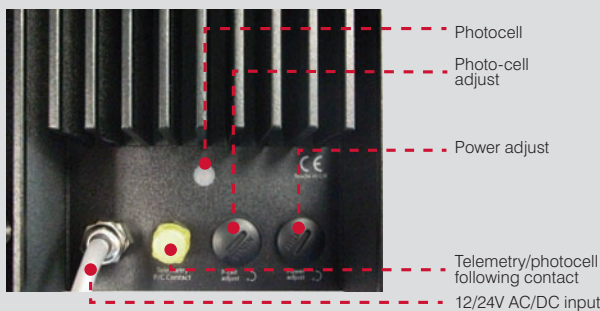
## RELIABLE

- 10 year life
- Active LED life control
- Vandal Resistant

## CONTROLLED

- Zero Light Pollution
- Even Output Illumination
- Semi-Covert or Covert Options

### COMMAND AND CONTROL TECHNOLOGY™



### ADAPTIVE ILLUMINATION™:



Narrow Angle



Wide Angle

## APPLICATIONS





### ADAPTIVE ILLUMINATION™

Adaptive Illumination™ allows the installer to adjust the angle of the light projection from a single unit to fit the specific demands of any installation. Adjustment is quick and convenient and any angle up to 180 degrees (depending on model) is easily selectable. Adaptive Illumination is patent pending technology available exclusively from RayLED.



### PLATINUM ADVANCED SMT LED TECHNOLOGY

PLATINUM illuminators integrate cutting-edge SMT LED technology, light intensification miniature optics (LIMO) and an enhanced Cool Running™ thermal management system into a single ultra high performance LED. The result is World leading power, reliability and flexibility.



### ACTIVE LED LIFE CONTROL

All RayLED illuminators employ cutting edge materials science techniques to improve thermal efficiency throughout the unit and ensure continuity of LED power. The New Advanced Cool Running™ system draws heat away from the LEDs, shielding the LED from abnormal stress, and allows RayLED LED products to deliver outstanding performance and consistency of illumination throughout the operational life of the illuminator.



### COMMAND AND CONTROL TECHNOLOGY

Integrated into all Fusion Illuminators, Command and Control technology provides photocell, photocell level adjustment and power adjustment functionality on the actual illuminator. This eliminates the need for a specialist external power supply.



### VANDAL RESISTANT

The polycarbonate lens design protects against severe blows from crowbars, baseball bats and can even withstand successive shots from air pistols and rifles (range dependant).



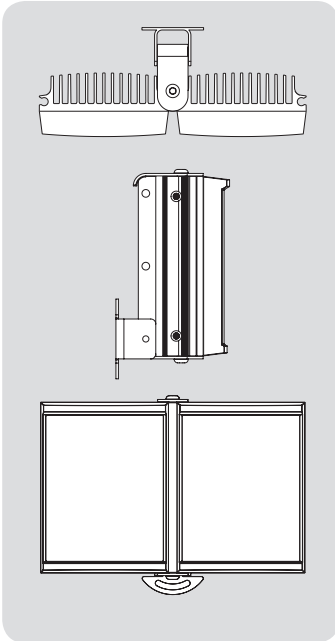
### ENERGY SAVING

All RayLED illuminators use high efficiency LED's and advanced control methods to deliver extremely low electrical consumption. RayLED illuminators are energy saving and deliver huge savings in running costs compared to traditional bulb illuminators.

## 5 YEAR WARRANTY

All RayLED CCTV illuminators are provided with a 5 year warranty, unmatched anywhere in the CCTV lighting industry. RayLED illuminators provide guaranteed long life!

## TECHNICAL SPECIFICATIONS



**ILLUMINATOR & INTEGRATED PSU**

*Max Distance:* up to 300m (985ft)  
*Angle:* Various - See Part Codes  
*Optics:* SMT LED's  
*Consumption:* 70W max  
*Input:* 12-24V DC/24V AC input  
*Weight:* 4kg (8.8lbs)  
*Environmental:* IP66  
*Temp Range:* -50 to +50°C (-58 to 122°F)  
*Cable Length:* 2.5m  
*Colour:* Black  
*Wavelength:* 850 or 940nm  
*Dimensions:* 280 x 195 x 66mm  
 11" x 8" x 3" approx

**BRACKETRY**  
 U Bracket and Adaptive Illumination bracket included.

**INTEGRATED COMMAND AND CONTROL TECHNOLOGY**

- Inbuilt Photocell for automatic on/off operation
- Inbuilt Photocell level adjust
- Inbuilt power adjust from 10-100%
- Telemetry connection for remote operation and photocell following contact for dual mode camera switching

PART CODES & DISTANCES			NARROW ANGLE	WIDE ANGLE
RM200-F-AI-10	RAYMAX 200, 10-20°	AI, 850nm + 12/24V Input	300m (985ft)	200m (656ft)
RM200-F-AI-30	RAYMAX 200, 30-60°	AI, 850nm + 12/24V Input	160m (525ft)	106m (346ft)
RM200-F-AI-50	RAYMAX 200, 50-100°	AI, 850nm + 12/24V Input	112m (367ft)	74m (243ft)
RM200-F-AI-120	RAYMAX 200, 120-180°	AI, 850nm + 12/24V Input	64m (210ft)	42m (139ft)
RM200-F-AI-10-C	RAYMAX 200, 10-20°	AI, 940nm + 12/24V Input		Contact RayLED
RM200-F-AI-30-C	RAYMAX 200, 30-60°	AI, 940nm + 12/24V Input		Contact RayLED
RM200-F-AI-50-C	RAYMAX 200, 50-100°	AI, 940nm + 12/24V Input		Contact RayLED
RM200-F-AI-120-C	RAYMAX 200, 120-180°	AI, 940nm + 12/24V Input		Contact RayLED