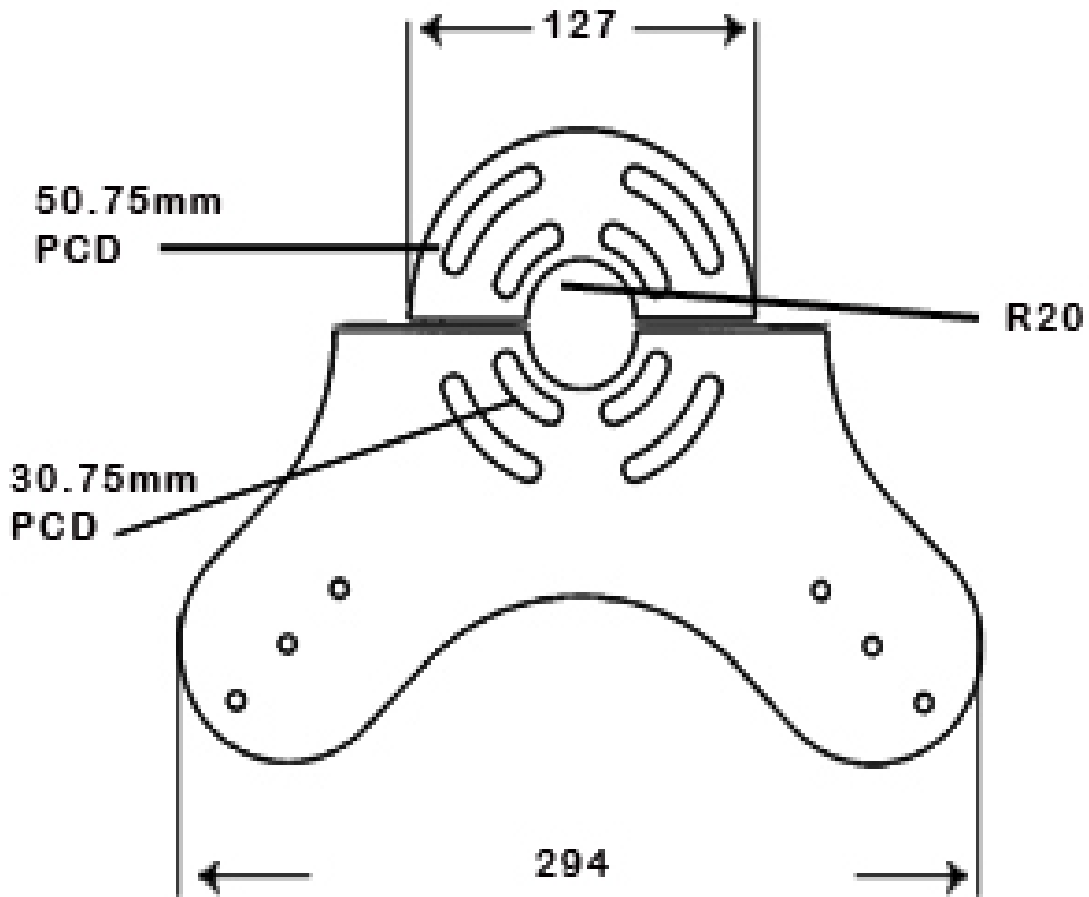


**PB180**

Designed to mount Rayled illuminators to poles/columns – for use mainly with dome cameras. Mounts to top of pole. Provided with 2" PCD (50.75mm) and 1" (30.75mm) PCD mounting options.

PB180 supplied with 1 mounting area (half a PB360) plus one spacer to mount up to 2 lamps.



PB180 – one mounting area (half a PB360) plus one spacer as shown above