

HYBRID 200

HYBRID PRODUCT RANGE

The HYBRID product range integrates RAYMAX Infra-Red and RAYLUX White-Light into a single, flexible and intelligent lighting unit. The HYBRID series of IR and White-Light illuminators provide World class illumination, long life and zero maintenance. They incorporate the very latest surface mount LEDs to deliver excellent night-time pictures with improved optical output and outstanding reliability.

HYBRID illuminators are an intelligent, aesthetically pleasing solution to providing multi-purpose lighting. All HYBRID illuminators are purpose designed to provide even output illumination.

Each unit is fitted with Active LED Life Control to carefully control LED output, delivering consistent illumination power and a projected working life of 10 years.

HYBRID illuminators are supplied with bracket and power supply. Control features on the power supply include adjustable power output, independent control of Infra-Red and White-Light, photocell and telemetry control. HYBRID products are suitable for all low light installations that require a mixture of Infra-Red and White-Light.

DEPLOYING HYBRID:



Infra-Red ON



White-Light ON

HYBRID illuminators have been designed for all applications where both the advantages of Infra-Red (long illumination distances, covert surveillance) and White-Light (lighting as a visible deterrent, colour images) are needed.

The Infra-Red light in HYBRID provides constant covert lighting of an area, delivering 24 hour CCTV coverage without causing light pollution or illuminating an area for criminals or intruders. The White-Light in HYBRID can be activated on intrusion into a secure zone creating a bright, visible deterrent to any intruders who know they are being watched the moment the light turns on.



POWERFUL

- IR and White-Light in a single unit
- **PLATINUM[®]** LED technology
- High power - low running costs

FLEXIBLE

- Intelligent Multi-Purpose Light Integration
- Various angles (10° to 180°)
- Fully Controllable Power Supply

RELIABLE

- 10 year life
- Active LED Life Control
- Vandal Resistant

CONTROLLED

- Even Output Illumination
- IR for constant Covert Surveillance
- White-Light for Deterrent purposes and colour images

APPLICATIONS



PRISONS



INDUSTRIAL PARK



AIRPORT



DUMPING



MILITARY BASE



HYBRID™

The world's first range of combined IR and White-Light illuminators designed for the CCTV market. HYBRID™ integrates RAYMAX and RAYLUX technologies to deliver constant covert surveillance and long coverage distances with Infra-Red light, and a visible White-Light deterrent on alarm activation.



ACTIVE LED LIFE CONTROL

All Rayled illuminators employ cutting edge materials science techniques to improve thermal efficiency throughout the unit and ensure continuity of LED power. The New Advanced Cool Running™ system draws heat away from the LEDs, shielding the LED from abnormal stress, and allows Rayled LED products to deliver outstanding performance and consistency of illumination throughout the operational life of the illuminator.



PLATINUM ADVANCED SMT LED TECHNOLOGY

PLATINUM illuminators integrate cutting-edge SMT LED technology, light intensification miniature optics and an enhanced Cool Running™ thermal management system into a single high performance LED. The result is World leading power, reliability and flexibility.



VANDAL RESISTANT

The polycarbonate lens design protects against severe blows from crowbars, baseball bats and can even withstand successive shots from air pistols and rifles (range dependant).



ENERGY SAVING


All Rayled illuminators use high efficiency LED's and advanced control methods to deliver extremely low electrical consumption. Rayled illuminators are energy saving and deliver huge savings in running costs compared to traditional bulb illuminators.



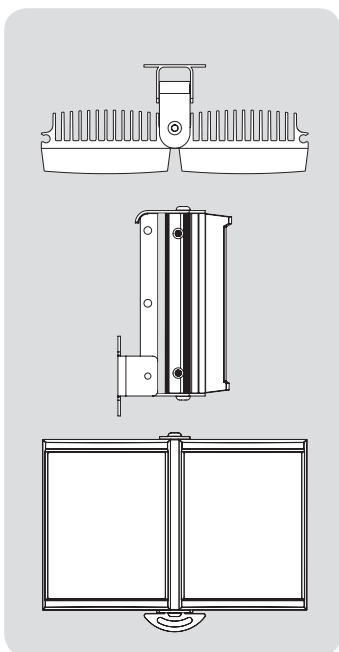
HIGH DEFINITION LIGHTING

High Definition Lighting allows cameras to provide crystal clear, high signal images during the hours of darkness. The breakthrough in HD lighting is made possible with Rayled's high power LED technology delivering increased power on scene.

5 YEAR WARRANTY
 All Rayled CCTV illuminators are provided with a 5 year warranty, unmatched anywhere in the CCTV lighting industry. Rayled illuminators provide guaranteed long life!



TECHNICAL SPECIFICATIONS



<p>ILLUMINATOR</p> <p><i>Max Distance:</i> up to 210m (689ft) IR</p> <p><i>Angle:</i> Various - See Part Codes</p> <p><i>Optics:</i> SMT LEDs</p> <p><i>Consumption:</i> 80W max</p> <p><i>Voltage:</i> 13.5 & 14V current controlled</p> <p><i>Weight:</i> 4kg (8.8lbs)</p> <p><i>Environmental:</i> IP66</p> <p><i>Temp Range:</i> -50 to +50°C (-58 to 122°F)</p> <p><i>Cable Length:</i> 2.5m</p> <p><i>Colour:</i> Black and Silver</p> <p><i>Wavelength:</i> 850nm and white-light</p> <p><i>Dimensions:</i> 280 x 195 x 66mm 11" x 8" x 3" approx.</p>	<p>POWER SUPPLY</p> <p><i>Input:</i> Universal 100-240V AC auto-sensing</p> <p><i>Output:</i> 120W max</p> <p><i>Temperature:</i> -50 to +50°C (-58 to 122°F)</p> <p><i>Weight:</i> 2.4kg (5.3lbs)</p> <p><i>Dimensions:</i> 240 x 160 x 81mm 9" x 6" x 3" approx.</p> <p>Standard PSU (included) Adjustable photocell</p> <p>Adjustable power output for IR & WL</p> <p>Telemetry Control</p> <p>Independent control of IR/WL</p>
--	---

PART CODES & DISTANCES		IR DISTANCE	WL DISTANCE
HY200-30	HYBRID 200, 1 x 30° IR, 850nm, 30° WL + PSU	112m	(367ft) 70m (230ft)
HY200-50	HYBRID 200, 1 x 50° IR, 850nm, 50° WL + PSU	80m (262ft)	50m (164ft)
Mixed angles and other angles (10° and 120°) available			